

PAMS Technical Documentation

NSB-8 Series Transceivers

Product Variants

Table of Contents

	Page No
Transceiver NSB-8.....	3
Basic Nokia Modules	4
Exploded View of Transceiver NSB-8	5
Assembly Parts of NSB-8	6

List of Figures

	Page No
Fig 1 Transceiver NSB-8	3
Fig 2 Exploded view of NSB-8.....	5

Transceiver NSB-8

Figure 1: Transceiver NSB-8



The NSB-8 is a single band transceiver unit designed for the GSM1900 network. It is a GSM1900 power class 1 (1W) transceiver.

The transceivers main HW parts / features are:

- GPRS
- Full graphic display
- Jack style UI with two soft keys
- Integrated IR link & internal data
- Internal vibra
- Plug & play HF support
- Plug-in SIM card below the back cover of the phone
- Back mounted antenna (no connection for external antenna)

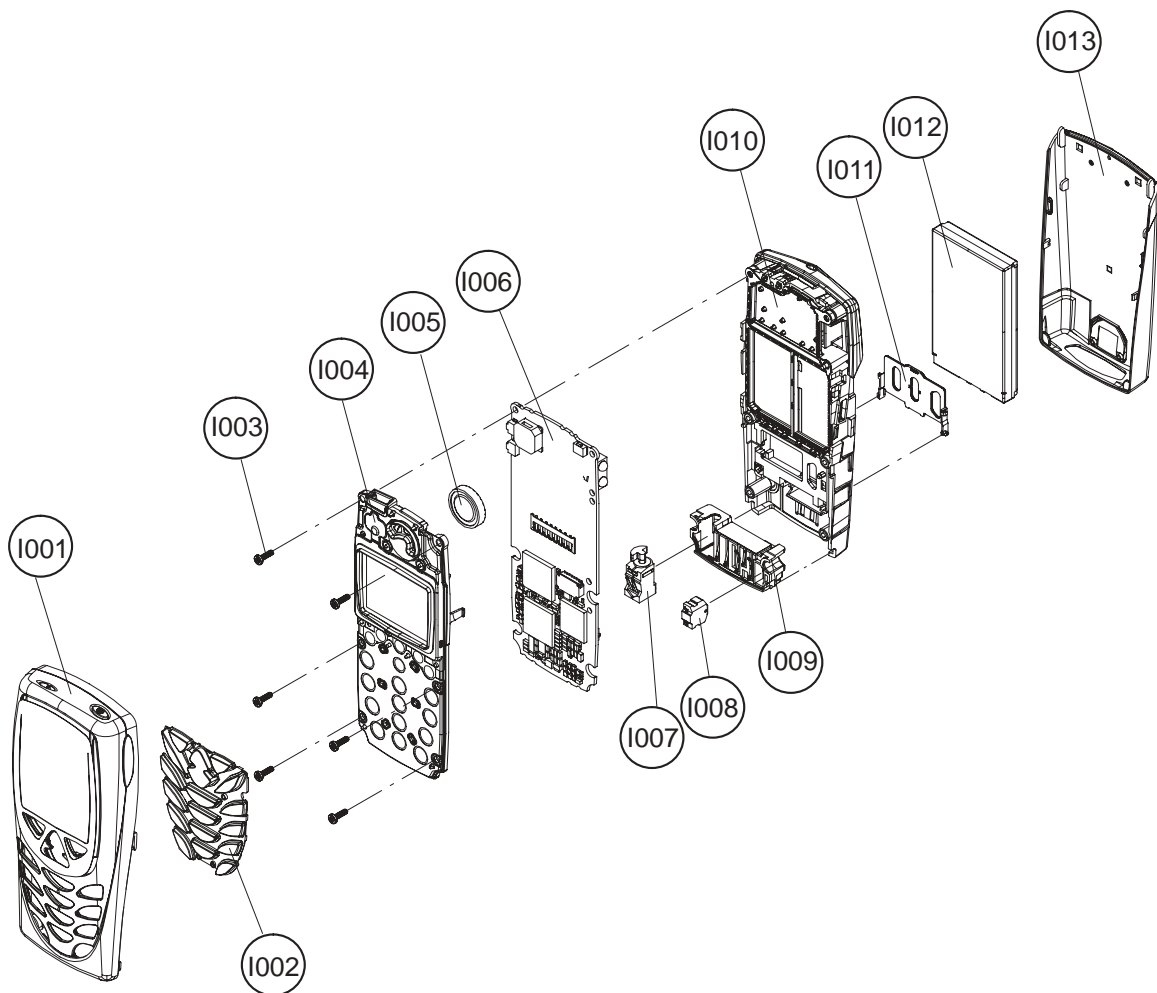
Note: The Service Manual is intended for use by qualified service personnel only.

Basic Nokia Modules

NSB-8 8390 Nokia Americas without SIM LOCK		0505627
...		
A-cover assy blue/TW	DMC03142	9497016
Keypad Latin all blue	DMC04247	9790536
Battery cover assy TW	DMC03189	9490175
...		
Transceiver NSB-8 ATO Module		0505297
• system module RM8		0201723
• UI module		9490306
• mechanics MNSB8		0262522
• SW module		0242153

Exploded View of Transceiver NSB-8

Figure 2: Exploded view of NSB-8



Assembly Parts of NSB-8

CIRCUIT REF./

ITEM	Q'TY	CODE	DESCRIPTION	VALUE/TYPE
I001		9497016	A-cover assy blue/Tokyo white	DMC03142
I002		9790536	Keypad Latin all blue	DMC04247
I003	6	6150051	Screw M1.6X5.5 T6	DMD07562
I004		9490306	UI Module	DMC03712
I005		5140067	Speaker + spring	
I006		0201723	System Module RM8	
I007		6800055	Vibra Motor assy	
I008		5140205	Microphone assy	
I009		5460049	System connector	
I010		9456988	B-cover assembly	DMC03832
I011		9460377	SIM Card Cover (incl. in B-cover assy)	DMD06170
I012		0670246	Battery BLB-2 Li-ion	
I013		9490175	Battery cover assy Nokia brand, Tokyo white	DMC03189
		9456987	Battery cover assy, Tokyo white	DMC04815